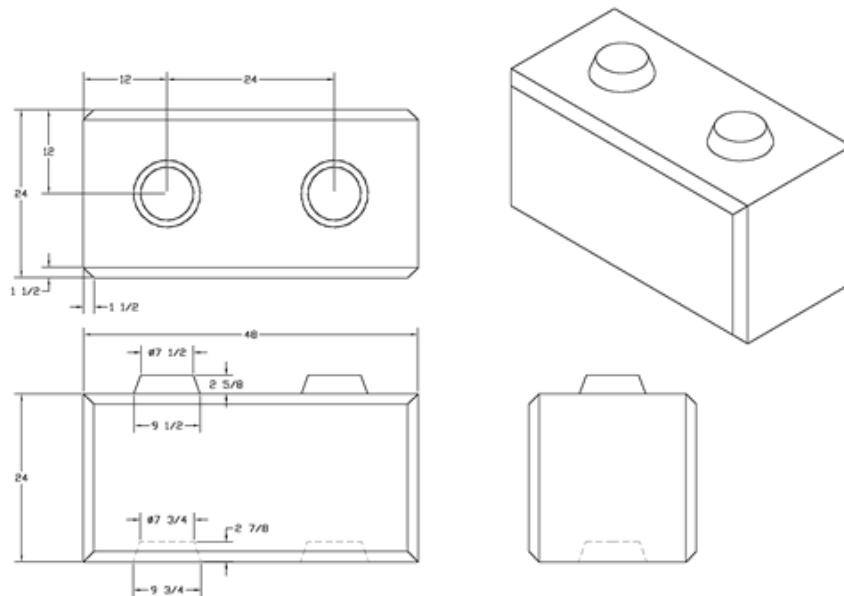


# Plas-Crete Force Protection Blocks

by Conigliaro Industries, Inc.



## **MODEL FPB-2500-100HR Starter Package**

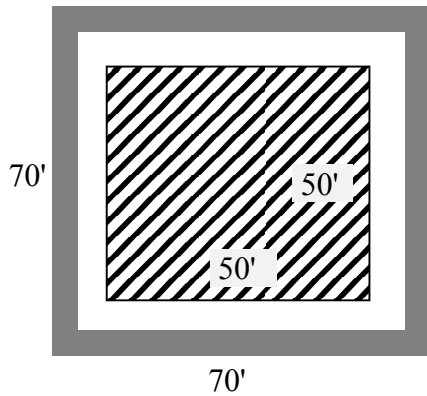
(2,500) Plas-Crete Force Protection Blocks  
2' x 2' x 4'  
1,850 lbs each

(100) Plas-Crete Force Protection Half Blocks  
2' x 2' x 2'  
925 lbs each

Provides: 10,200 linear feet of protection 2' high, - or -  
5,100 linear feet of protection 4' high, - or -  
3,400 linear feet of protection 6' high, - or -  
2,550 linear feet of protection 8' high, - or -  
2,040 linear feet of protection, 10' high.

**This entire force protection package may be deployed in 100 hours, with four personnel, a flat-bed tractor trailer, a bobcat and a forklift.**

# **MODEL FPB-2500-100HR Starter Package Will Protect The Following:**

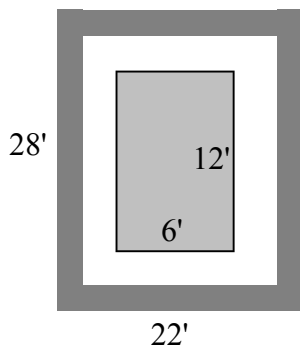


## **BUILDINGS:**

(9) Buildings, 50' x 50', with 8' tall Plas-Crete Force Protection Block Walls

Assumes blocks set-off from building walls 8', and two staggered openings for entry (not shown.)

**- or -**

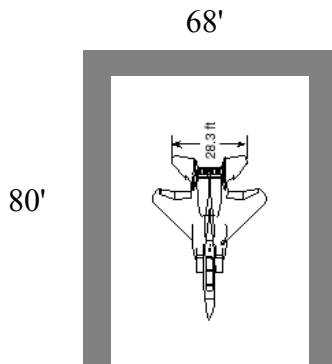


## **GENERATORS:**

(34) 250 KW Generators, 6' x 12', with 6' tall Plas-Crete Force Protection Block Walls

Assumes blocks set-off from generator walls 6', and one staggered opening for entry (not shown.)

**- or -**

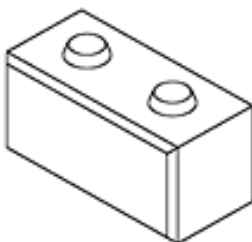


## **FIGHTER AIRCRAFT:**

(9) F-15 Eagle Fighter Jets, 43' x 64', with 10' tall Plas-Crete Force Protection Block Walls

Assumes blocks set-off from aircraft minimum of 10', and one side open for entry.

For more information, please contact our Force Protection Sales Department:



**Conigliaro Industries, Inc.**

The Block Guys

701 Waverly Street, Framingham, MA 01702

(888) CONIG - 25, fax (508) 653-6672

[sales@conigliaro.com](mailto:sales@conigliaro.com) — [www.conigliaro.com](http://www.conigliaro.com)